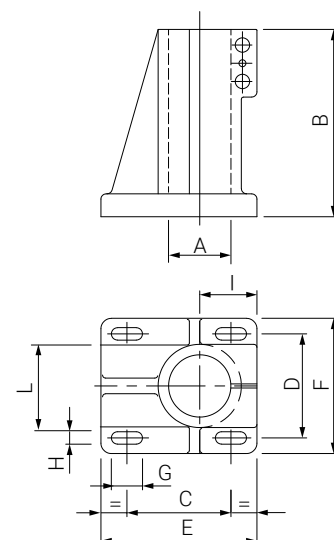


Soportes standard Supporti standard

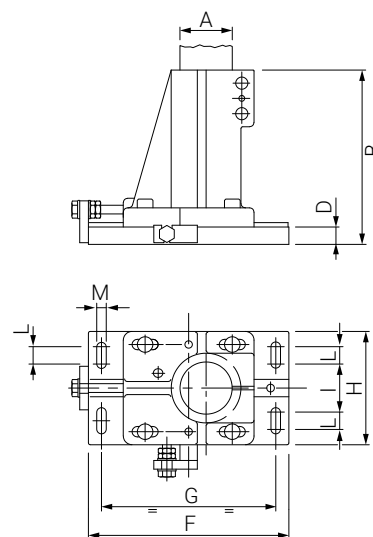
BASE BASE

	A	B	C	D	E	F	G	H	I	L
EAE85	85	200	125	140	190	180	43	13	70	95



BASE REGULABLE BASE REGOLABILE

	A	B	D	F	G	H	I	L	M
EGE85	85	225	25	300	260	180	80	30	13



COLUMNNA REGULABLE COLONNA REGOLABILE

	A	B	C	D	E	I
EHE85	85	400 - 500 - 600	165	N°10 - M10x25	80	110

